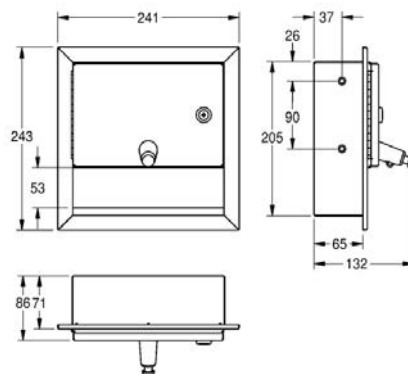


RODAN soap dispenser for recessed mounting

MODEL RANGE: RODAN | RODX619E | 2000090069

Accessories | Soap dispensers



Soap dispenser for recessed mounting, stainless steel, surface satin finished, material thickness 0.8 mm, folded front cover, cylinder lock with Franke standard key, suitable for liquid soaps and lotions, 1 liter soap tank, push button on front, includes stainless steel screws and dowels.

Dimensions 241 x 243 x 132 mm (W x H x D)

Technical data

| | |
|------------------------|--------------------------------|
| Material thickness | 0.80 mm |
| Overall depth | 132.00 mm |
| Overall height | 243.00 mm |
| Overall width | 241.00 mm |
| Material | Stainless steel |
| Material code | 1.4301 Chrome Nickel steel V2A |
| Surface finish | Satin finished |
| Type of fixing | Screw |
| Filling quantity | 1.00000 |
| Filling quantity uom | Liter |
| Lock | Key-lock |
| Type of consumable | Liquid soap |
| Type of operation | Manual operation |
| Type of soap container | Integrated refillable tank |
| Product code | 201.0000.019 |

KWC. The new
name of Franke
Water Systems



RODAN soap dispenser for recessed mounting

MODEL RANGE: RODAN | RODX619E | 2000090069

Accessories | Soap dispensers

Consumable



Liquid soap

2030058103

SO1LP



Liquid soap

2000057168

SO10L

KWC. The new
name of Franke
Water Systems

